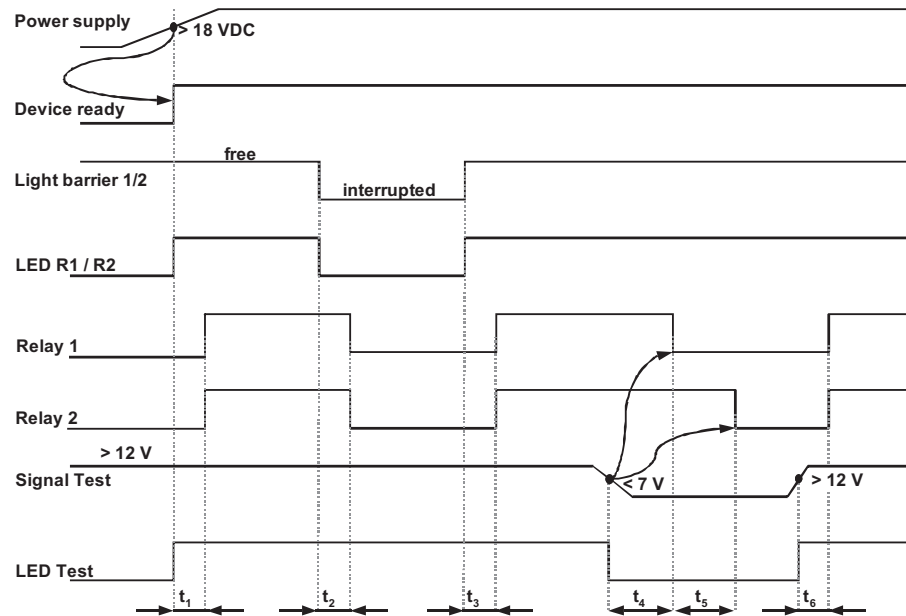


Operation chart ELS 269



- $t_1 = < 100 \text{ ms}$
- $t_2 = 10 \text{ ms @ } R_L = 10 \text{ k}\Omega$
- $t_3 = < 10 \text{ ms}$
- $t_4 = 20 \text{ ms}$
- $t_5 = 20 \text{ ms}$
- $t_6 = < 25 \text{ ms}$

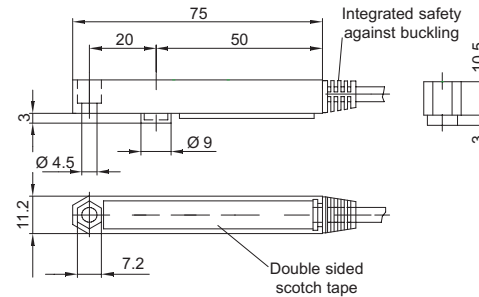
Technical data ELS 260 / ELS 261

	ELS 260		ELS 261	
		10 m	6 m	10 m
Operating range		10 m	6 m	10 m
Aperture angle	Emitter	$\pm 20^\circ$	$\pm 5^\circ$	$\pm 10^\circ$
	Receiver	$\pm 10^\circ$	$\pm 10^\circ$	$\pm 5^\circ$
Max. ambient light	$> 100'000 \text{ Lux}$			
Temperature range	$-20^\circ \dots +65^\circ \text{C}$			
Enclosure rating	IP 67 (cable version), IP 65 (connector version)			
Cable length	5 m			
Sensor head	(cable or connector version)			
Cable cross section	0.14 ... 0.25 mm ²		0.14 mm ²	



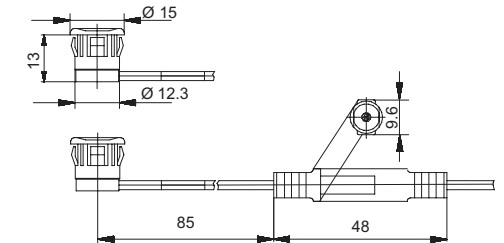
Dimension rod type sensor head ELS 260

The housing of the emitter and the receiver are identical.



Dimension knob type sensor head ELS 261

The housing of the emitter and the receiver are identical.



Through beam light sensor ELS 260 / 261



Mounting conditions ELS 260 / 261

Plate thickness [mm]	Mounting hole [mm]		
	$\varnothing 12.5$	$\varnothing 13$	$\varnothing 13.5$
1.25	☑	☑	☒
1.50	☑	☑	☒
2.00	☑	☑	☑
2.50	☒	☑	☑

☑ = good ☒ = insufficient



We
CEDES AG, CH-7302 Landquart / Switzerland
 declare conformity in sole responsibility that the optoelectronic sensors
ELS 26x
 according to the following Council Directives

EU Door Standard pr EN 12650-1: 1998

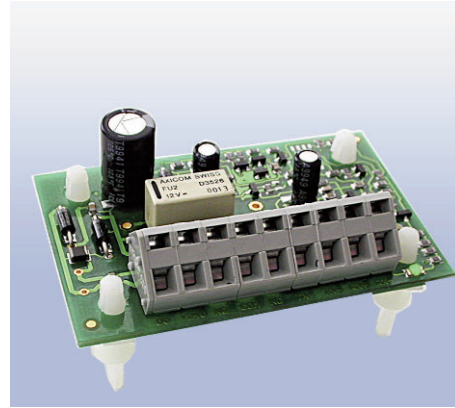
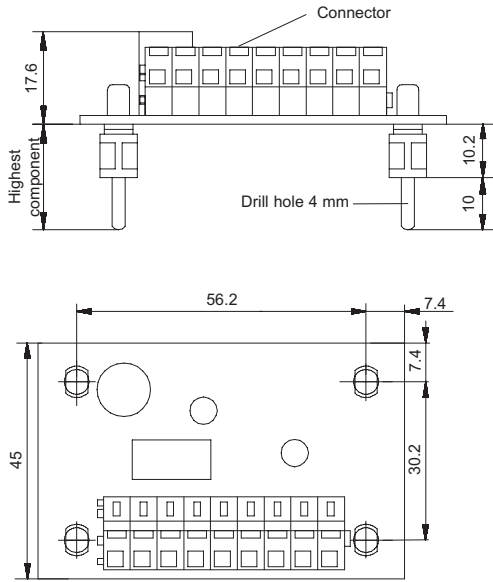
Standards and Specifications
 EN 50081-1/2 EME
 EN 50082-1 + IEC 61000-6-2 EMI

Test report CEDES, 14.6.2000, TB EMV.doc

Use:
 The bringing into use is only permitted after thorough checks are carried out to ensure that the equipment into which these products are built into, meets the regulations and directives relevant to that equipment.

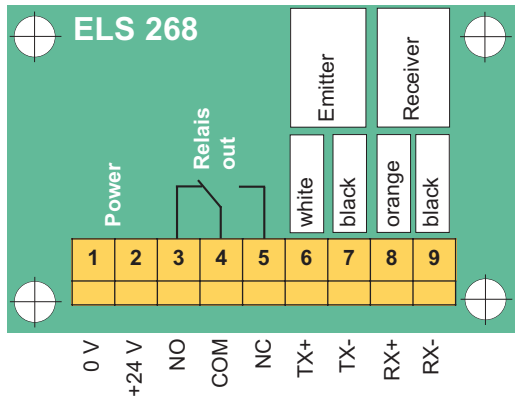
Landquart, 1st May 2002
 Beat De Coi
 Quality Assurance

Dimension ELS 268 control board



Control board ELS 268

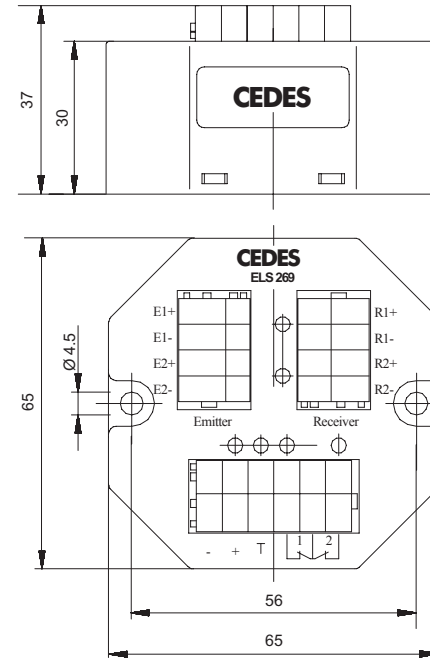
Wiring ELS 268



Technical data ELS 268

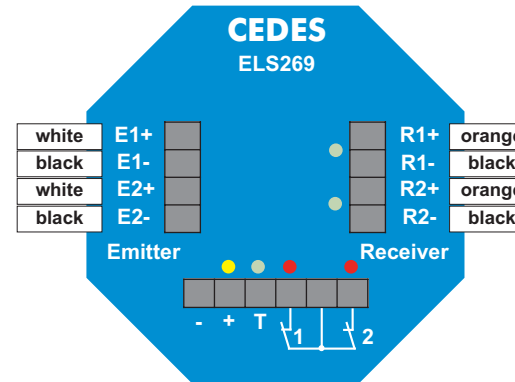
ELS 268		
Supply voltage	18 ... 30 VDC	24 V ± 20 % AC
Current consumption	60 mA	130 mA rms 400 mA peak
Relay output	NC und NO 125 VAC / 0.5 A 30 VDC / 1 A min. 10 mA	
Rise / fall time	< 10 ms	
Connections	0.08 ... 2.5 mm ²	
Enclosure rating	IP00 (control cabinet usage)	
Vibration / shock	IEC 60068-2-6 / IEC 60068-2-29	
EMV	EN 50081-1 / EN 50082-1	
Temperature range	-20° ... +65°C (operating) -40° ... +70°C (storage)	

Dimension ELS 269 dual control unit



Control unit ELS 269

Wiring ELS 269



Symbol on housing		
Description	NC	NO
No power supply		
Beam not interrupted		
Beam interrupted		

Technical data ELS 269

ELS 268		
Supply voltage	18 ... 30 VDC	24 V ± 20 % AC
Current consumption	80 mA	150 mA rms 500 mA peak
Relay output	NC and NO 125 VAC / 0.5 A 30 VDC / 1 A min. 10 mA	
Test input	System active: 12 ... 30 VDC System inactive: 0 ... 7 VDC	
Rise / fall time	< 10 ms at 10 kΩ	
Connections	0.08 ... 2.5 mm ²	
Enclosure rating	IP20 (control cabinet usage or UP mounting)	
Vibration / shock	IEC 60068-2-6 / IEC 60068-2-29	
EMV	EN 50081-1 / EN 50082-1	
Machinery safety	EN 954-1	
Temperature range	-20° ... +65°C (operating) -40° ... +70°C (storage)	