

The Viksam door

The replacement for older folding and scissor gates



Also a great solution for door-less elevator cars.

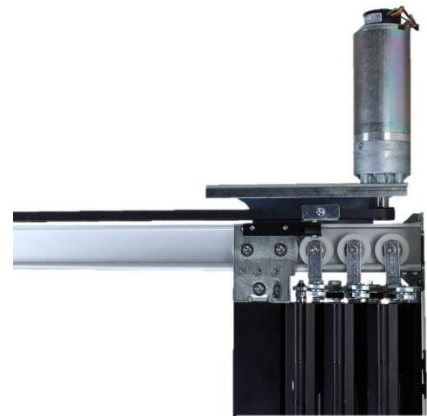
The Viksam door is also available with automatic opening and closing

Simple to mount!

Requires only a minimal modification of the car.
Only a hole for the motor is required.
The controller is simply mounted direct on the door rail.

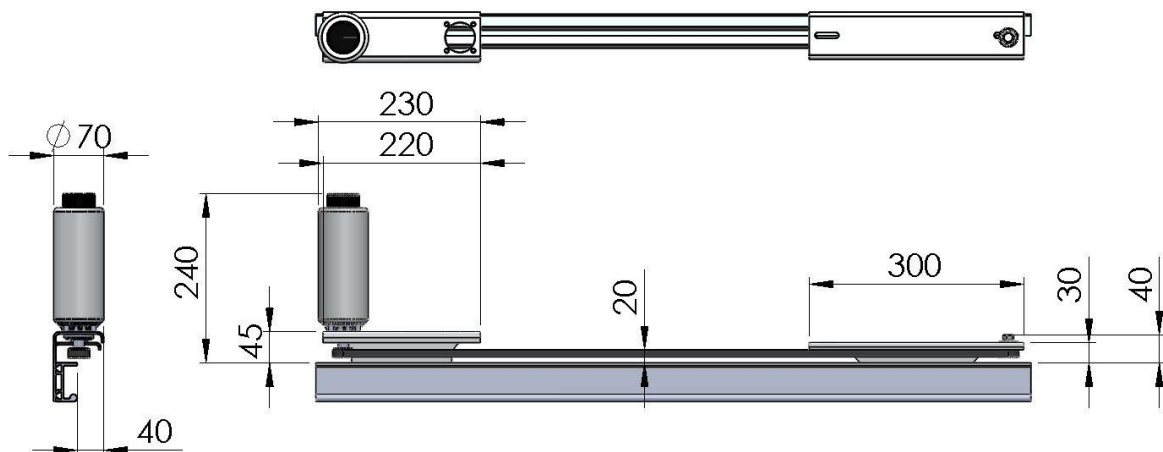
Specification:

24DC motor with gearbox. 230VAC feed.
Delivered with roof mounted door controller.
Operated by main controller or via door cam relay.
Includes control logic to prevent pinching.



With minor adaptations also possible to mount on existing, non-motorized VIKSAM installations.

Dimensions:



The Viksam Door is available in aluminium or black finish.



All versions are available with windows, in order to give a more spacious experience.

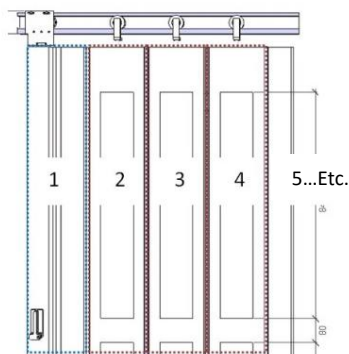
The number and placement of windows can be adjusted to customer preferences.

Specified when ordered:

- Right or left hung, seen from outside of the car.
- Finish (Alu/Black/Gold).
- Number of windows and in what sections.
- Door mounting height from bottom (floor) to top.
**30 mm is added when motorization is used.*
- Door mounting width.

Sections are defined as follows:

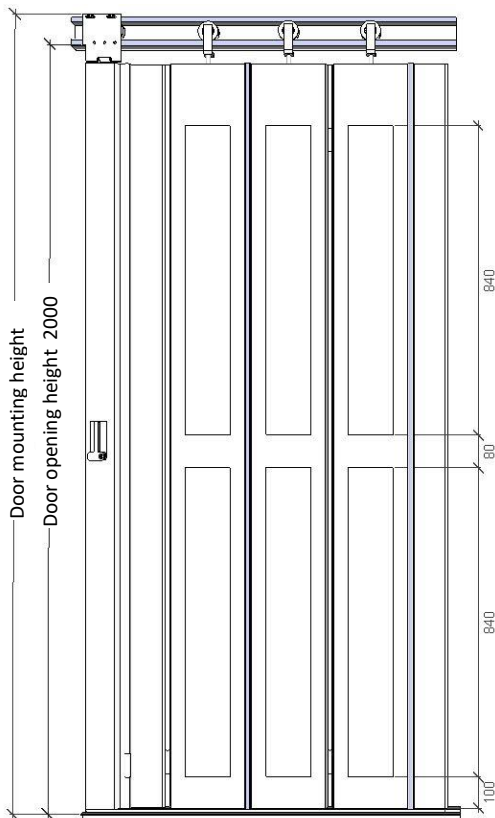
Section one is always the section where the handle is placed.
Glassed sections count from the second section. The last section can not be equipped with glass.



Dimensions and weights

Size	Mounting width (mm)	Max door Opening (mm)	Door width folded (mm)	Weight Without glas*	Weight with glas*	Max # of windows
VKD-4,5	680	515	165	21	24	3
VKD-5	730	560	170	23	27	3
VKD-5,5	830	645	185	25	29	4
VKD-6	880	690	190	27	32	4
VKD-6,5	980	775	205	29	34	5
VKD-7	1030	820	210	31	37	5
VKD-7,5	1130	905	225	33	39	6
VKD-8	1180	950	230	35	42	6
VKD-8,5	1280	1035	245	38	45	7
VKD-9	1330	1080	250	40	48	7
VKD-9,5	1430	1165	265	42	50	8
VKD-10	1480	1210	270	44	53	8
VKD-10,5	1580	1295	285	46	55	9
VKD-11	1630	1340	290	48	57	9
VKD-11,5	1730	1425	305	50	60	10
VKD-12	1780	1470	310	52	62	10
VKD-12,5	1880	1555	325	54	65	11
VKD-13	1930	1600	330	56	67	11

* Motor adds 3kg.



Door mounting height: ca 2070mm as standard.

Door opening height: 2000mm as standard.