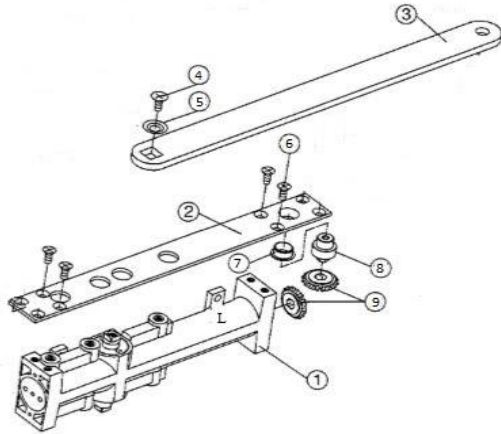


Door closer ABLOY Inset, KONE replacement kit, Right/left

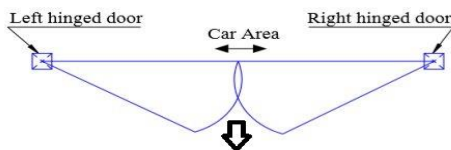
Article number: 2600126

Door closer replacing KONE inset, Abloy. This replacement is reversible for use of either right or left opening door. Featuring power adjustment.



No.	Parts	Qty
1.	Hydraulic housing	1
2.	Fixing/Mounting plate	1
3.	Guide arm with roller	1
4.	Screw M5x12 (Loose prevention treatment)	1
5.	Finishing washer	1
6.	Screw M5x12L	4
7.	Bush	1
8.	Regulating connector	1
9.	Gear	2

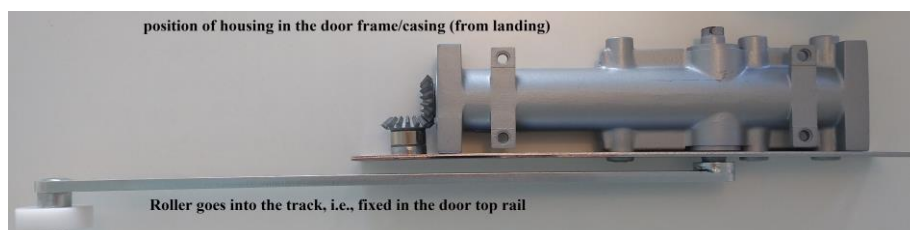
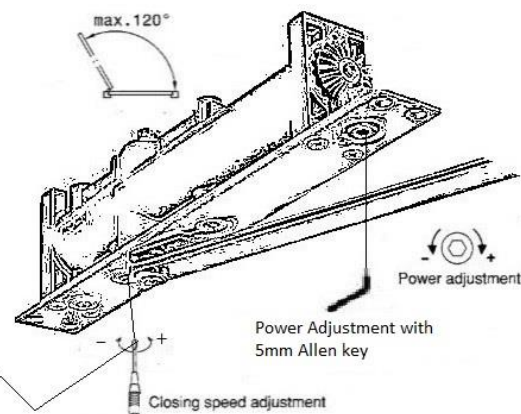
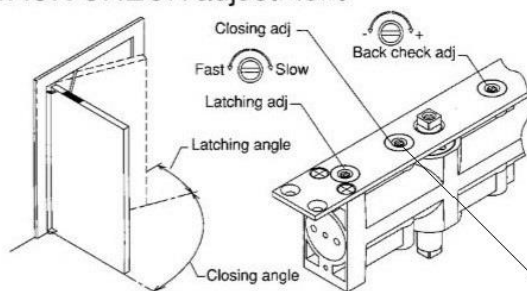
- * The fixing plate is mounted towards the marking 'R' on hydraulic housing for left hinged door. Marking 'L' should be visible on other side of housing
- * The fixing plate is mounted towards the marking 'L' on hydraulic housing for right hinged door. Marking 'R' should be visible on other side of housing.



2-4 MODEL		
No. OF TURNS	DIRECTION	POWER LEVEL
2	-	2
0	*	3
3.5	+	4

*: FACTORY PRE-SET

SPEED adjustment
BACK CHECK adjustment



* Door closer Abloy inset assembly in picture above is for right hinged door