

EU TYPE-EXAMINATION CERTIFICATE

Application of:
Council Directive 2014/33/EU, issued as "Lifts Directive"

CERTIFICATE NO.: **14-NOR-LD-008**

THIS IS TO CERTIFY THAT THE PRODUCT

Landing door locking device

IDENTIFICATION

RL-75 and RL-75S

MANUFACTURED BY

Hissmekano AB

AT

Reprovägen 7, 183 77 Täby, Sweden

complies with the requirements of the Lifts Directive 2014/33/EU.

LIMITATIONS

Any modifications made to the product shall immediately be reported to Inspecta in order to examine whether this Certificate remains valid.

This Certificate is valid from: 2017-12-04

MÖLNDAL, 2017-12-04
Inspecta Sweden AB
Notified Body No.: 0409



Jonas Axelsson
Business Area Manager

Ulf Bengtsson
Technical Reviewer

Notice: Any significant changes in design or construction of the product, or amendments to the Directive or Standards referenced above may render this receipt invalid.

INSPECTA SWEDEN AB

NEONGATAN 4 B 431 53 MÖLNDAL SWEDEN TEL (+46) 8 5011 3400 FAX (+46) 8 5011 3401 www.inspecta.com

Page 1 of 4

EU TYPE-EXAMINATION CERTIFICATE

CERTIFICATE NO.: 14-NOR-LD-008

Certificate history

Revision	Description	Issue date
-	This is the original Certificate	2015-02-05
1.0	Updated to new Directive and standard	2017-11-27

Products covered by this Certificate

Products description	Product Name	Category	Product Group
Landing door locking device for hinged doors	RL-75 and RL-75S	Lift safety component	Lifts

Limits of key parameters

Type AC or DC	Voltage	Rated Current
AC	230V	2A
DC	200V	2A

Additional information

Landing door locking device type RL-75S fulfils the requirements of EN81-20 5.3.10 Requirements common to devices for proving the locked condition and the closed condition of the door. For type RL-75 additional means has to be provide to comply with the requirements of EN81-20 5.3.10
--

Applied Standards/Tests carried out

EN 81-20:2014 Safety rules for the construction and installation of lifts - Lifts for the transport of persons and goods - Part 20: Passenger and goods passenger lifts. EN 81-50:2014 Safety rules for the construction and installation of lifts - Examinations and tests - Part 50: Design rules, calculations, examinations and tests of lift components

Test laboratory

Inspecta Sweden AB

Annexes to this Certificate

Annex No.	Description
1	Type RL-75S

The following documentation formed the basis for the assessment:

Document No.	Name/Title	Version/Date
1	Technical construction file 14-NOR-LD-008 Hissmekano RL-75 and RL75S	2017-11-27

EU TYPE-EXAMINATION CERTIFICATE

CERTIFICATE NO.: 14-NOR-LD-008

Terms and conditions

The certificate is subject to the following terms and conditions:

- In case of damages caused by defective products, directive 85/374/eec, as amended, will apply
- The certificate is only valid for the product(s) listed above
- The certificate is concerned with the design of the product, only

The following may render this Certificate invalid:

- Changes in the design or construction of the product(s)
- Changes or amendments to the referenced directive(s)
- Changes or amendments in the standard(s) which form the basis for documenting compliance with the requirements
- To keep it valid the product has to be subject to, random check according to Lifts Directive 2014/33/EU Annex IX, or a quality system, se Annex VI or VII.

END OF CERTIFICATE

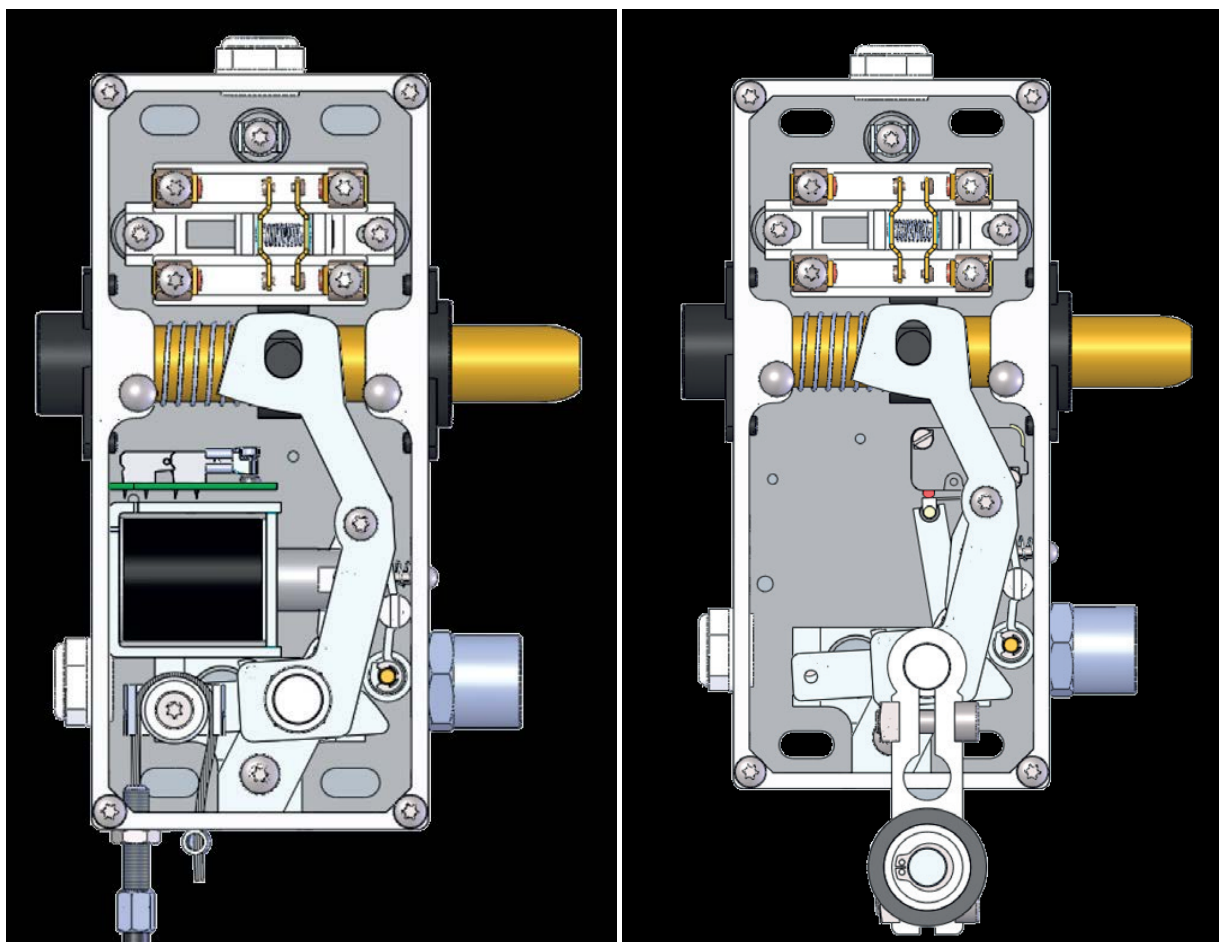
MÖLNDAL, 2017-12-04

Inspecta Sweden AB



Ulf Bengtsson
Technical Reviewer

Annex 1



With solenoid and wire opening

With lock arm control